

FIG. 1

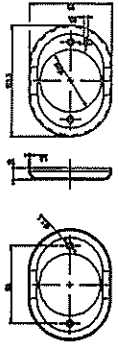


FIG. 2

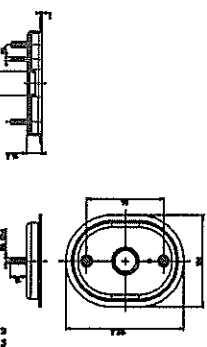


FIG. 3

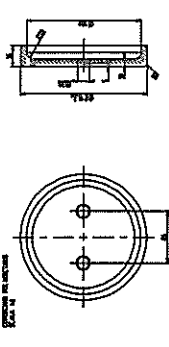
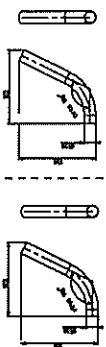


FIG. 4

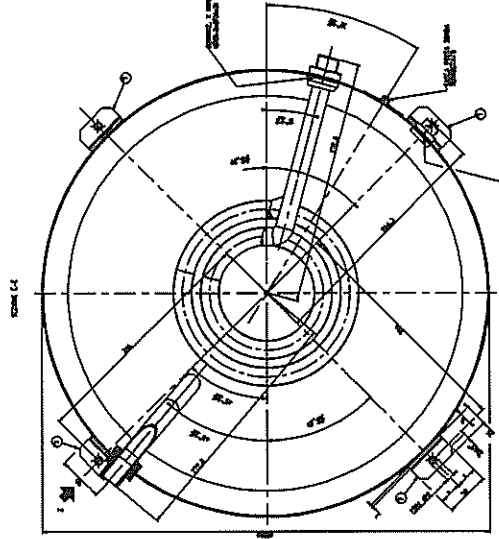
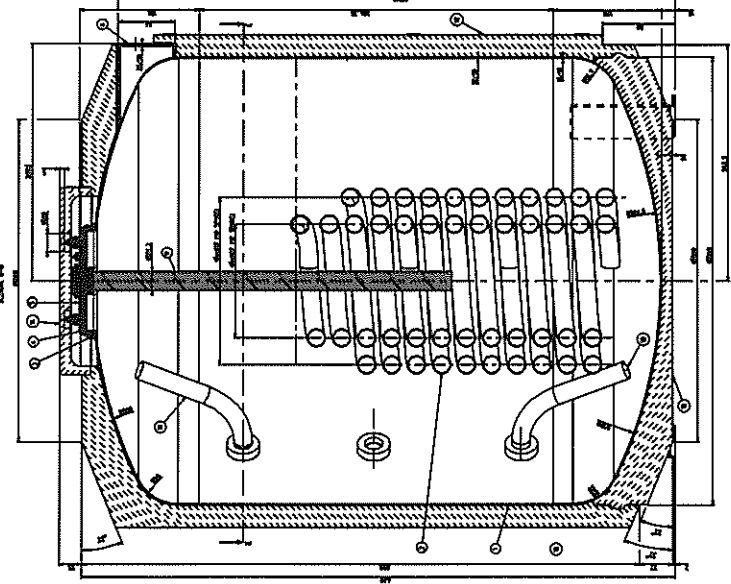
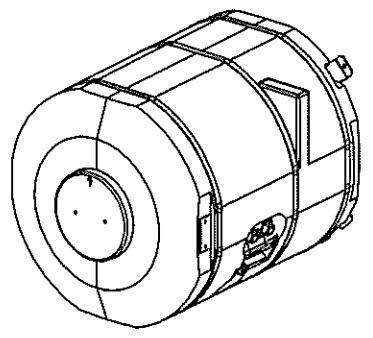
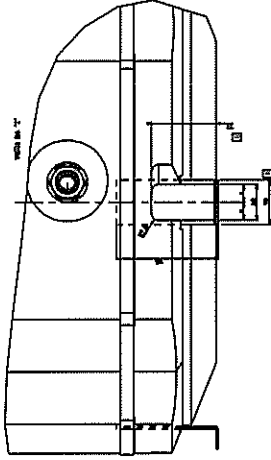
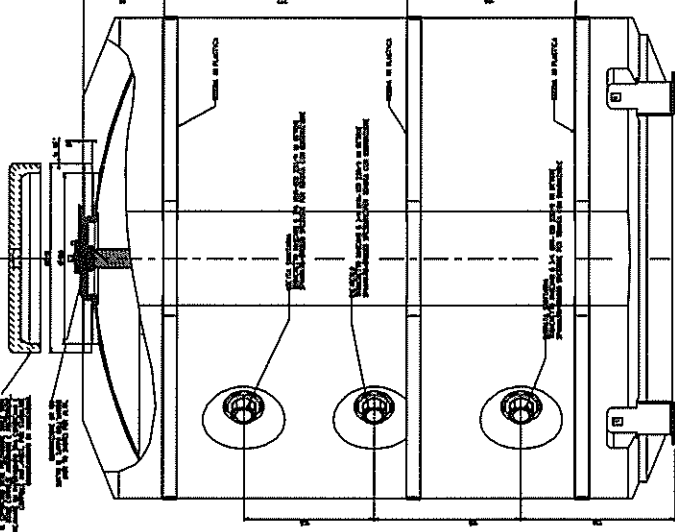


REVISIONS

- 1. CHANGE FROM 1/2" DIA. TO 3/4" DIA.
- 2. CHANGE FROM 1/2" DIA. TO 3/4" DIA.
- 3. CHANGE FROM 1/2" DIA. TO 3/4" DIA.
- 4. CHANGE FROM 1/2" DIA. TO 3/4" DIA.
- 5. CHANGE FROM 1/2" DIA. TO 3/4" DIA.
- 6. CHANGE FROM 1/2" DIA. TO 3/4" DIA.
- 7. CHANGE FROM 1/2" DIA. TO 3/4" DIA.
- 8. CHANGE FROM 1/2" DIA. TO 3/4" DIA.
- 9. CHANGE FROM 1/2" DIA. TO 3/4" DIA.
- 10. CHANGE FROM 1/2" DIA. TO 3/4" DIA.

NO.	REV.	DATE	BY	CHKD.	DESCRIPTION
1	1				
2	2				
3	3				
4	4				
5	5				
6	6				
7	7				
8	8				
9	9				
10	10				

APPROVED: _____
 DATE: _____
 DRAWN BY: _____
 CHECKED BY: _____
 TITLE: _____
 PROJECT: _____
 SHEET NO.: _____ OF _____
 PART NO.: _____
 QUANTITY: _____
 UNIT: _____
 MATERIAL: _____
 FINISH: _____
 TOLERANCES: _____
 DIMENSIONS: _____
 WEIGHT: _____
 VOLUME: _____
 SURFACE AREA: _____
 COMMENTS: _____



NO.	REV.	DATE	BY	CHKD.	DESCRIPTION
1	1				
2	2				
3	3				
4	4				
5	5				
6	6				
7	7				
8	8				
9	9				
10	10				

