

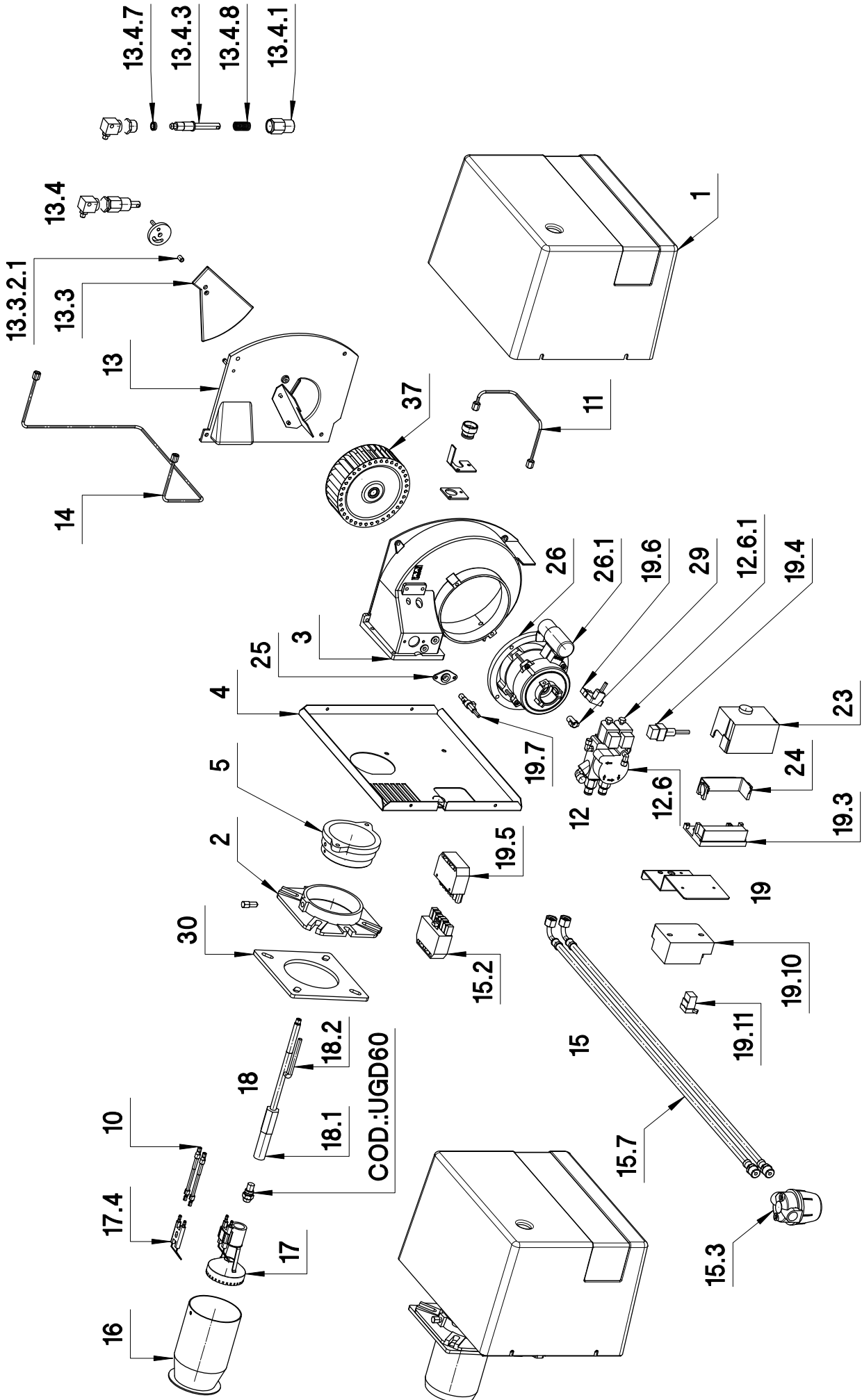


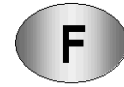
**TAVOLA RICAMBI
SPARE TABLE
MESA DE REPUESTOS
TABLE DE RECHANGE**

MOD.:
G 2.22-LX TC

005362_1B

3R



**BRULEUR FIOUL.22****MOD.: G 2.22-LX TC
1Nac230V-50Hz**

POS	COD	V	DESCRIPTION
1	011206	4	COFFRE I. FBR ROUGE
2	013325	1	BRIDE ATTACHE CHAUDIERE (E) H25
3	013335	1	CORPS DU BRULEUR
4	013338	2	CARTER L.
5	013551	1	COLLIER
10	040239	1	CABLE A.T. CARBONE Sec.1-D5 D4-D4
11	052614	1	GR.CANALISATION ENVOYEE POMPE-SOUTIENS GICLEUR
12	053122	1	GR.POMPE
12.6	259546	1	POMPE SUNTEC AT3-45A-9559-4P-0500 230V-50:60Hz
12.6.1	111226	1	BOBINE SUNTEC-3713798 230V-50:60Hz
12.6.2	258583	1	CORPS ELECTROVANNE -991502_2 POMPE SUNTEC AT-AL
12.6.3	295030	1	CORPS ELECTROVANNE -991440 POMPE SUNTEC AT
12.6.4	590000	1	GARNITURE ARBRE POMPE SUNTEC-991511 AN-AS-AL-AT-D
13	053450	1	GR.COUCVERCLE ASPIRATION
13.3	053033	1	GR.RIDEAU AIR
13.3.2.1	220006	1	BOUCLE CYLINDRIQUE FB1-0510 D5x7x10
13.4	054651	1	GR.VÉRIN .22
13.4.1	031252	1	BAGUE VERIN
13.4.3	031628	1	TIGE VERIN
13.4.7	229302	1	GARNITURE DE056 1E005G7-SH75
13.4.8	244201	1	RESSORT A L'HELICE CYLINDRIQUE 1.6x14x52
14	053608	1	GR.CANALISATION ENVOYE VERIN (SUNTEC)
15	054153	4	EQUIPE BRULEUR FBR L=1250
15.2	118445	1	FICHE WIELAND ST 18-7 (7 POLES.T)
15.3	224500	1	FILTRE FAG 20151-PE 0.1-D3:8P
15.7	278221	1	TUBE FLEX L DN6-1250 FF 1:4P-3:8P
16	055069	1	BUSE GR.SOUDE 1
17	055270	1	TETE D64-D16.5 N°4T
17.4	133253	1	ELECTRODE DOUBLE FILER
18	055494	1	GR.SOUTIENS GICLEUR
18.1	032599	1	SOUTIENS GICLEUR
18.2	055493	1	TUBE AVEC INDEX GR.SOUDE
19	060448	1	CÂBLAGE BRÛLEUR SIEMENS+TRE 1Nac230V-50:60Hz
19.3	111001	1	BASE COFFRET DE SECURITE SIEMENS AGK11
19.4	118416	4	CABLE+CONNECTEUR M-EVP L450
19.5	118444	1	PRISE WIELAND ST18-7 (7 POLES.T)
19.6	119008	1	CABLE+CONNECTEUR M90-MT L370
19.7	139105	1	PHOTORESISTANCE SIEMENS QRB1B MARRON L=500
19.10	189005	1	TRANSFORMATEUR DANFOSS EBI4 052F4031 230V-50:60Hz
19.11	189006	1	CABLE+CONNECTEUR M-TR-DANFOSS L300
20	070063	1	MANUEL INSTRUCTIONS FIOUL .22 IT FBR-
21	076016	1	DECLARATION DE CONFORMITE - IGEFD FBR-
22	078034	1	SCHEMA ELECTRIQUE BRULEUR
23	101010	2	COFFRET DE SECURITE SIEMENS LOA24.171B2FB 230V-50:60Hz

23.1	077048	1	MANUEL INSTRUCTIONS COFFRET DE SECURITE SIEMENS-N7118
24	111002	1	PRESSE-CABLE COFFRET DE SECURITE SIEMENS AGK66
25	111013	1	BASE FR SIEMENS QRB1
26	158752	1	MOTEUR SIMEL XD6-2005-32-F5-2P 100W 230V-50Hz-0.72A-4æF-CL.B
26.1	118200	1	CONDENSATEUR SIMEL 4 uF-Vn450
29	229002	1	JOINT MOTEUR-POMPE SIMEL
30	229703	1	GARNITURE BRIDE BRULEUR
37	291002	1	VENTILATEUR (VECO) D133x45 RD TRANCHÉ D12.7

Date: 2011-01-11

**BURNER LIGHT-OIL.22****MOD.: G 2.22-LX TC
1Nac230V-50Hz**

POS	COD	V	DESCRIPTION
1	011206	4	COVER I. FBR RED
2	013325	1	BOILER FLANGE (E) H25
3	013335	1	BURNER'S BODY
4	013338	2	FRONT SHIELD L.
5	013551	1	COLLAR
10	040239	1	IGNITION CABLE CARBON Sez.1-D5 D4-D4
11	052614	1	GR.PIPELINE DELIVERY PUMP-NOZZLE-HOLDER
12	053122	1	GR.POMP
12.6	259546	1	POMP SUNTEC AT3-45A-9559-4P-0500 230V-50:60Hz
12.6.1	111226	1	COIL SUNTEC-3713798 230V-50:60Hz
12.6.2	258583	1	BODY SOLENOID VALVE -991502_2 POMP SUNTEC AT-AL
12.6.3	295030	1	BODY SOLENOID VALVE -991440 POMP SUNTEC AT
12.6.4	590000	1	GASKET SHAFT POMP SUNTEC-991511 AN-AS-AL-AT
13	053450	1	GR.COVER ASPIRATION
13.3	053033	1	GR.SHUTTER AIR
13.3.2.1	220006	1	BUCKLE CYLINDRICAL FB1-0510 D5X7X10
13.4	054651	1	GR.HYDRAULIC JACK .22
13.4.1	031252	1	HYDRAULIC JACK SLEEVE
13.4.3	031628	1	HYDRAULIC JACK STEM
13.4.7	229302	1	GASKET DE056 1E005G7-SH75
13.4.8	244201	1	SPRING TO CYLINDRICAL HELIX 1.6x14x52
14	053608	1	GR.PIPELINE DELIVERY HYDRAULIC JACK (SUNTEC)
15	054153	4	BURNER'S ACCESSORIES FBR L=1250
15.2	118445	1	PLUG WIELAND ST 18-7 (7 POLES.T)
15.3	224500	1	FILTER FAG 20151-PE 0.1-D3:8P
15.7	278221	1	PIPE FLEX L DN6-1250 FF 1:4P-3:8P
16	055069	1	BLAST TUBE GR.WELDED 1
17	055270	1	COMBUSTION HEAD D64-D16.5 N°4T
17.4	133253	1	DOUBLE ELECTRODE
18	055494	1	GR.NOZZLE-HOLDER
18.1	032599	1	NOZZLE-HOLDER
18.2	055493	1	TUBE WITH INDEX GR.WELDED
19	060448	1	BURNER'S ELECTRICAL PANEL SIEMENS+TRE 1Nac230V-50:60Hz
19.3	111001	1	BASE CONTROL BOX SIEMENS AGK11
19.4	118416	4	CABLE+CONNECTOR M-EVP L450
19.5	118444	1	SOCKET WIELAND ST18-7 (7 POLES.T)
19.6	119008	1	CABLE+CONNECTOR M90-MT L370
19.7	139105	1	PHOTORESISTANCE SIEMENS QRB1B BROWN L=500
19.10	189005	1	IGNITION TRANSFORMER DANFOSS EBI4 052F4031 230V-50:60Hz
19.11	189006	1	CABLE+CONNECTOR M-TR-DANFOSS L300
20	070063	1	INSTRUCTIONS LIGHT OIL .22 IT FBR-
21	076016	1	DECLARATION OF CONFORMITY - IGEFD FBR-
22	078034	1	ELECTRICAL DIAGRAM BURNER
23	101010	2	CONTROL BOX SIEMENS LOA24.171B2FB 230V-50:60Hz

23.1	077048	1	CONTROL BOX INSTRUCTIONS SIEMENS-N7118
24	111002	1	STILL-CABLE CONTROL BOX SIEMENS AGK66
25	111013	1	BASE FR SIEMENS QRB1
26	158752	1	MOTOR SIMEL XD6-2005-32-F5-2P 100W 230V-50Hz-0.72A-4æF-CL.B
26.1	118200	1	CONDENSER SIMEL 4 uF-Vn450
29	229002	1	JOINT MOTOR-POMP SIMEL
30	229703	1	GASKET FLANGE BURNER
37	291002	1	FAN (VECO) D133x45 RD HUB D12.7

Date: 2011-01-11

**BRUCIATORE GASOLIO.22****MOD.: G 2.22-LX TC
1Nac230V-50Hz**

POS	COD	V	DESCRIZIONE
1	011206	4	COFANO BRUCIATORE I. FBR ROSSO
2	013325	1	FLANGIA ATTACCO CALDAIA (E) H25
3	013335	1	CHIOCCIOLA
4	013338	2	FRONTALINO L.
5	013551	1	COLLARE
10	040239	1	CAVO A.T. CARBONIO Sez.1-D5 D4-D4
11	052614	1	Gr.TUBAZIONE MANDATA POMPA-PORTAUGELLO
12	053122	1	Gr.POMPA
12.6	259546	1	POMPA SUNTEC AT3-45A-9559-4P-0500 230V-50:60Hz
12.6.1	111226	1	BOBINA SUNTEC-3713798 230V-50:60Hz
12.6.2	258583	1	CORPO ELETTROVALVOLA -991502_2 POMPA SUNTEC AT-AL
12.6.3	295030	1	CORPO ELETTROVALVOLA -991440 2°ST. POMPA SUNTEC AT
12.6.4	590000	1	GUARNIZIONE ALBERO POMPA SUNTEC-991511 AN-AS-AL-AT-D
13	053450	1	Gr.COPERCHIO ASPIRAZIONE
13.3	053033	1	Gr.SERRANDA ARIA
13.3.2.1	220006	1	BOCCOLA CILINDRICA FB1-0510 D5x7x10
13.4	054651	1	Gr.MARTINETTO .22
13.4.1	031252	1	GHIERA MARTINETTO
13.4.3	031628	1	STELO MARTINETTO
13.4.7	229302	1	GUARNIZIONE DE056 1E005G7-SH75
13.4.8	244201	1	MOLLA AD ELICA CILINDRICA DI COMPRESIONE 1.6x14x52
14	053608	1	Gr.TUBAZIONE MANDATA MARTINETTO (SUNTEC)
15	054153	4	CORREDO BRUCIATORE FBR L=1250
15.2	118445	1	SPINA WIELAND ST 18-7 (7 POLI.T)
15.3	224500	1	FILTRO FAG 20151-PE 0.1-D3:8P
15.7	278221	1	TUBO FLEX L DN6-1250 FF 1:4P-3:8P
16	055069	1	BOCCAGLIO Gr.Sald. 1 D90x60-15°-L139
17	055270	1	TESTA D64-D16.5 N°4T
17.4	133253	1	ELETTRODO BIFILARE
18	055494	1	Gr.PORTAUGELLO
18.1	032599	1	PORTAUGELLO
18.2	055493	1	TUBETTO CON INDICE Gr.Sald.
19	060448	1	CABLAGGIO BRUCIATORE SIEMENS+TRE 1Nac230V-50:60Hz
19.3	111001	1	BASE APP. SIEMENS AGK11
19.4	118416	4	CAVO+CONNETTORE M-EVP SUNTEC-ENC45 L450
19.5	118444	1	PRESA WIELAND ST18-7 (7 POLI.T)
19.6	119008	1	CAVO+CONNETTORE M90-MT L370
19.7	139105	1	FOTORESISTENZA SIEMENS QRB1B MARRONE L=500
19.10	189005	1	TRASFORMATORE DANFOSS EBI4 052F4031-D4 230V-50:60Hz
19.11	189006	1	CAVO+CONNETTORE M-TR-DANFOSS L320
20	070063	1	MANUALE ISTRUZIONI GASOLIO .22 IT FBR-
21	076016	1	DICH. DI CONFORMITA - IGEFD FBR-
22	078034	1	SC.ELET.BRUCIATORE .22 IGEF 1Nac230V-50Hz SL-
23	101010	2	APP. SIEMENS LOA24.171B2FB 230V-50:60Hz

23.1	077048	1	MANUALE ISTRUZIONI APP. - - SIEMENS-N7118
24	111002	1	FERMACAVO APP.SIEMENS AGK66
25	111013	1	BASE FR SIEMENS QRB1
26	158752	1	MOTORE SIMEL XD6-2005-32-F5-2P 100W 230V-50Hz-0.72A-4μF-CL.B
26.1	118200	1	CONDENSATORE SIMEL 4 uF-Vn450
29	229002	1	GIUNTO MOTORE-POMPA SIMEL
30	229703	1	GUARNIZIONE FLANGIA BRUCIATORE
37	291002	1	VENTOLA (VECO) D133x45 RD MOZZO D12.7

Data: 2011-01-11

**HEIZOEL-BRENNER.22****MOD.: G 2.22-LX TC
1Nac230V-50Hz**

POS	COD	V	BESCHREIBUNG
1	011206	4	BRENNERHAUBE I. FBR ROT
2	013325	1	KESSEL-BEFESTIGUNGSFLANSCH (E) H25
3	013335	1	GEBLAESEGEHAEUSE
4	013338	2	FRONTABDECKUNG L.
5	013551	1	FUEHRUNGSHUELSE
10	040239	1	KABEL A.T. KARBONIUM DURCHM.1-D5 D4-D4
11	052614	1	Gr.VORLAUFLEITUNG PUMPE-DUESENHALTER
12	053122	1	Gr.PUMPE
12.6	259546	1	PUMPE SUNTEC AT3-45A-9559-4P-0500 230V-50:60Hz
12.6.1	111226	1	MAGNETSPULE SUNTEC-3713798 230V-50:60Hz
12.6.2	258583	1	MAGNETVENTILKOERPER -991502_2 PUMPE SUNTEC AT-AL
12.6.3	295030	1	MAGNETVENTILKOERPER -991440 PUMPE SUNTEC AT
12.6.4	590000	1	DICHTUNG WELLE HILSPUMPE SUNTEC-991511 AN-AS-AL-AT-D
13	053450	1	Gr.KAPPE ABSAUGUNG
13.3	053033	1	GR.LUFTKLAPPE
13.3.2.1	220006	1	ZYLINDRISCHE BUCHSE FB1-0510 D5x7x10
13.4	054651	1	GR.HIDR.HEBEL .22
13.4.1	031252	1	FESTSTELLHUELSE HYDR.ZYLINDER
13.4.3	031628	1	HEBELSTANGE
13.4.7	229302	1	DICHTUNG DE056 1E005G7-SH75
13.4.8	244201	1	ZYL.SPIRALFEDER-KOMPRIEMIERUNG 1.6x14x52
14	053608	1	Gr.VORLAUFLEITUNG HYDR. HEBEL (SUNTEC)
15	054153	4	BRENNERZUBEHOER FBR L=1250
15.2	118445	1	STECKER WIELAND ST 18-7 (7 POLIG.T)
15.3	224500	1	FILTER FAG 20151-PE 0.1-D3:8P
15.7	278221	1	FLEXIBLES L DN6-1250 FF 1:4P-3:8P
16	055069	1	FLAMMROHR GESCHW.GR. 1
17	055270	1	STAUSCHEIBE D64-D16.5 N°4T
17.4	133253	1	DOPPELELEKTRODE
18	055494	1	Gr.DUESENHALTER
18.1	032599	1	DUESENHALTER
18.2	055493	1	VERBINDUNGSROHR MIT STELLANZEIGE
19	060448	1	VERDRAHTUNG BRENNER SIEMENS+TRE 1Nac230V-50:60Hz
19.3	111001	1	STECKSOCKEL FEUERUNGSAUTOMAT SIEMENS AGK11
19.4	118416	4	KABEL+STECKVERBINDUNG M-EVP SUNTEC-ENC45 L450
19.5	118444	1	STECKDOSE WIELAND ST18-7 (7 POLIG.T)
19.6	119008	1	KABEL+STECKVERBINDUNG M90-MT L370
19.7	139105	1	FOTOWIDERSTAND SIEMENS QRB1B L=500
19.10	189005	1	TRANSFORMATOR DANFOSS EBI4 052F4031 230V-50:60Hz
19.11	189006	1	KABEL+STECKVERBINDUNG M-TR-DANFOSS L300
20	070063	1	BETRIEBSANLEITUNG HEIZOEL .22 IT FBR-
21	076016	1	KONFORMITAETS BESCHEINIGUNG - IGEFD FBR-
22	078034	1	ELEKTROSCHALTPLAN BRENNER
23	101010	2	FEUERUNGSAUTOMAT SIEMENS LOA24.171B2FB 230V-50:60Hz

23.1	077048	1	BETRIEBSANLEITUNG FEUERUNGSAUTOMAT SIEMENS-N7118
24	111002	1	KABELHALTER FEUERUNGSAUTOMAT SIEMENS AGK66
25	111013	1	STECKSOCKEL FR SIEMENS QRB1
26	158752	1	MOTOR SIMEL XD6-2005-32-F5-2P 100W 230V-50Hz-0.72A-4uF-CL.B
26.1	118200	1	KONDENSATOR SIMEL 4 uF-Vn450
29	229002	1	VERBINDUNGSTUECK MOTOR-PUMPE SIMEL
30	229703	1	DICHTUNG BRENNERFLANSCH
37	291002	1	VENTILATORRAD (VECO) D133x45 RD NABE D12.7

Date: 2011-01-11



QUEMADOR GASOLEO.22

MOD.: G 2.22-LX TC
1Nac230V-50Hz

POS	COD	V	DESCRIPCIÓN
1	011206	4	CAPO I. FBR ROJO
2	013325	1	BRIDA ATACO CALDERA (E) H25
3	013335	1	CUERPO DEL QUEMADOR
4	013338	2	FRONTAL L.
5	013551	1	COLLAR
10	040239	1	CABLE A.T. CARBONO Sec.1-D5 D4-D4
11	052614	1	GR.CANERIA MANDADA BOMBA-SOPORTE BOQUILLA
12	053122	1	GR.BOMBA
12.6	259546	1	BOMBA SUNTEC AT3-45A-9559-4P-0500 230V-50:60Hz
12.6.1	111226	1	BOBINA SUNTEC-3713798 230V-50:60Hz
12.6.2	258583	1	CUERPO ELECTROVALVULA -991502_2 BOMBA SUNTEC AT-AL
12.6.3	295030	1	CUERPO ELECTROVALVULA -991440 BOMBA SUNTEC AT
12.6.4	590000	1	GUARNICION ARBORIZO BOMBA SUNTEC-991511 AN-AS-AL-AT-D
13	053450	1	GR.TAPADERA ASPIRACION
13.3	053033	1	GR.CIERRE METÁLICO AIRE
13.3.2.1	220006	1	ARANDELA CILINDRICO FB1-0510 D5x7x10
13.4	054651	1	GR.MARTINETTO .22
13.4.1	031252	1	ABRAZADERA MARTINETTO
13.4.3	031628	1	TALLO MARTINETTO
13.4.7	229302	1	GUARNICION DE056 1E005G7-SH75
13.4.8	244201	1	MUELLE A HELICE CILINDRICA 1.6x14x52
14	053608	1	GR.CANERIA MANDADO MARTINETTO (SUNTEC)
15	054153	4	EQUIPO QUEMADOR FBR L=1250
15.2	118445	1	ESPINA WIELAND ST 18-7 (7 POLOS.T)
15.3	224500	1	FILTRO FAG 20151-PE 0.1-D3:8P
15.7	278221	1	TUBO FLEX L DN6-1250 FF 1:4P-3:8P
16	055069	1	CANON GR.SOLDADO 1
17	055270	1	CABEZAL D64-D16.5 N°4T
17.4	133253	1	ELECTRODO DOBLE HILERA
18	055494	1	GR.SOPORTE BOQUILLA
18.1	032599	1	SOPORTE BOQUILLA
18.2	055493	1	TUBO CON ÍNDICE GR.SOLDADO
19	060448	1	CABLEADO QUEMADOR SIEMENS+TRE 1Nac230V-50:60Hz
19.3	111001	1	BASE CAJA DE CONTROL SIEMENS AGK11
19.4	118416	4	CABLE+CONECTOR M-EVP L450
19.5	118444	1	TOMADA WIELAND ST18-7 (7 POLOS.T)
19.6	119008	1	CABLE+CONECTOR M90-MT L370
19.7	139105	1	FOTORESISTENCIA SIEMENS QRB1B MARRON L=500
19.10	189005	1	TRANSFORMADOR DANFOSS EB14 052F4031 230V-50:60Hz
19.11	189006	1	CABLE+CONECTOR M-TR-DANFOSS L300
20	070063	1	MANUAL DE INSTRUCCIONES GASOLEO .22 IT FBR-
21	076016	1	DECLARACION DE CONFORMIDAD - IGEFD FBR-
22	078034	1	ESQUEMA ELECTRICO QUEMADOR
23	101010	2	CAJA DE CONTROL SIEMENS LOA24.171B2FB 230V-50:60Hz

23.1	077048	1	MANUAL DE INSTRUCCIONES CAJA DE CONTROL SIEMENS-N7118
24	111002	1	FIRMECABLE CAJA DE CONTROL SIEMENS AGK66
25	111013	1	BASE FR SIEMENS QRB1
26	158752	1	MOTOR SIMEL XD6-2005-32-F5-2P 100W 230V-50Hz-0.725A-4æF-CL.B
26.1	118200	1	CONDENSADOR SIMEL 4 uF-Vn450
29	229002	1	LLEGA MOTOR-BOMBA SIMEL
30	229703	1	GUARNICION BRIDA QUEMADOR
37	291002	1	VENTILADOR (VECO) D133x45 RD MOCHO D12.7

Fecha: 2011-01-11