

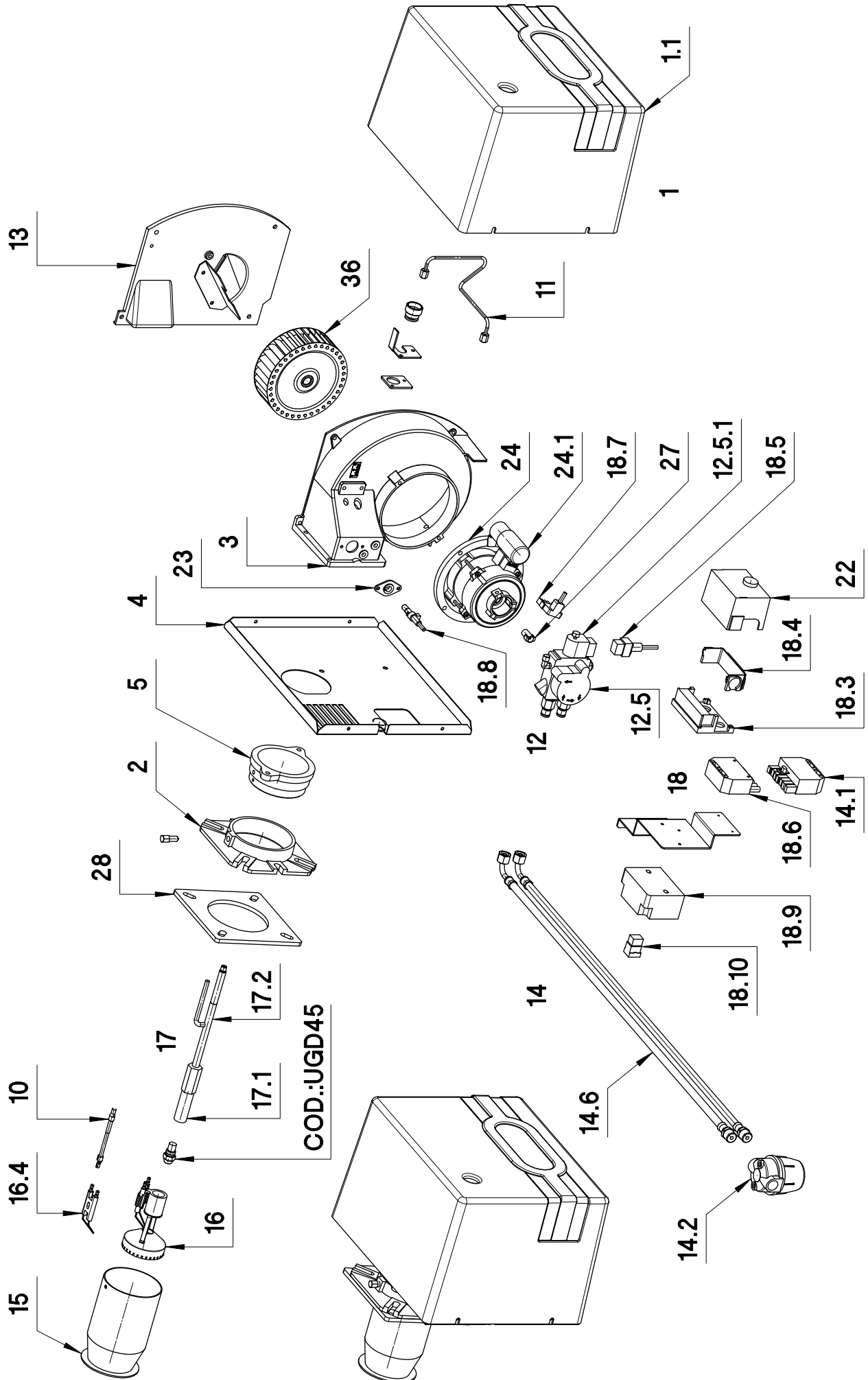


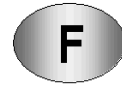
**TAVOLA RICAMBI  
SPARE TABLE  
MESA DE REPUESTOS  
TABLE DE RECHANGE**

MOD.:  
G 1S-LX TC

005259\_1D

3R





**BRULEUR FIOUL.1**

**MOD.: G 1S-LX TC**  
**1Nac230V-50Hz**

| POS    | COD    | V | DESCRIPTION  |
|--------|--------|---|--|
| 1      | 011206 | 8 | COFFRE NEUTRE GRIS+F   |
| 1.1    | 011206 | 7 | COFFRE NEUTRE GRIS RAL 7016                                  |
| 2      | 013325 | 1 | BRIDE ATTACHE CHAUDIERE (E) H25                              |
| 3      | 013335 | 1 | CORPS DU BRULEUR   |
| 4      | 013338 | 2 | CARTER L.  |
| 5      | 013551 | 1 | COLLIER  |
| 10     | 040239 | 1 | CABLE A.T. CARBONE Sec.1-D5 D4-D4                            |
| 11     | 052614 | 1 | GR.CANALISATION ENVOYEE POMPE-SOUTIENS GICLEUR               |
| 12     | 053140 | 1 | GR.POMPE (SUNTEC) 230V-50:60Hz                               |
| 12.5   | 258535 | 1 | POMPE SUNTEC AL35A-9596-4P-0500 230V-50:60Hz                 |
| 12.5.1 | 111226 | 1 | BOBINE SUNTEC-3713798 230V-50:60Hz                           |
| 12.5.2 | 258583 | 1 | CORPS ELECTROVANNE POMPE SUNTEC-991502_2 AT-AL               |
| 12.5.3 | 590000 | 1 | GARNITURE ARBRE POMPE SUNTEC-991511 AN-AS-AL-AT-D            |
| 13     | 053483 | 1 | GR.COUCVERCLE ASPIRATION                                     |
| 14     | 054491 | 4 | EQUIPE BRULEUR FBR L=1250                                    |
| 14.1   | 118445 | 1 | FICHE WIELAND ST 18-7 (7 POLES.T)                            |
| 14.2   | 224500 | 1 | FILTRE FAG 20151-PE 0.1-D3:8P                                |
| 14.6   | 278221 | 1 | TUBE FLEX L DN6-1250 FF 1:4P-3:8P                            |
| 15     | 055069 | 1 | BUSE GR.SOUDE 1  |
| 16     | 055270 | 1 | TETE D64-D16.5 N°4T  |
| 16.4   | 133253 | 1 | ELECTRODE DOUBLE FILER                                       |
| 17     | 055494 | 1 | GR.SOUTIENS GICLEUR  |
| 17.1   | 032599 | 1 | SOUTIENS GICLEUR   |
| 17.2   | 055493 | 1 | TUBE AVEC INDEX GR.SOUDÉ                                     |
| 18     | 060397 | 1 | CABLAGE BRULEUR SIEMENS+TRE+P 1Nac230V-50:60Hz               |
| 18.3   | 111001 | 1 | BASE COFFRET DE SECURITE SIEMENS AGK11                       |
| 18.4   | 111002 | 1 | PRESSE-CABLE COFFRET DE SECURITE SIEMENS AGK66               |
| 18.5   | 118416 | 4 | CABLE+CONNECTEUR M-EVP L450                                  |
| 18.6   | 118444 | 3 | PRISE ELET.PLAST. EP-7 (7 POLES.T)                           |
| 18.7   | 119008 | 1 | CABLE+CONNECTEUR M90-MT L370                                 |
| 18.8   | 139105 | 1 | PHOTORESISTANCE SIEMENS QRB1B MARRON L=500                   |
| 18.9   | 189005 | 1 | TRANSFORMATEUR DANFOSS EB14 052F0031 230V-50:60Hz            |
| 18.10  | 189006 | 1 | CABLE+CONNECTEUR M-TR-DANFOSS L300                           |
| 19     | 070061 | 1 | MANUEL INSTRUCTIONS FIOUL .1 IT FBR-                         |
| 20     | 076016 | 1 | DECLARATION DE CONFORMITE - IGEFD FBR-                       |
| 21     | 078239 | 1 | SCHEMA ELECTRIQUE BRULEUR                                    |
| 22     | 101566 | 1 | COFFRET DE SECURITE SIEMENS LMO14.111B2 230V-50:60Hz         |
| 22.1   | 077114 | 1 | MANUEL INSTRUCTIONS COFFRET DE SECURITE SIEMENS-7130         |
| 23     | 111013 | 1 | BASE FR SIEMENS QRB1   |
| 24     | 158752 | 1 | MOTEUR SIMEL XD6-2005-32-F5-2P 100W 230V-50Hz-0.72A-4æF-CL.B |
| 24.1   | 118200 | 1 | CONDENSATEUR SIMEL 4 uF-Vn450                                |
| 27     | 229002 | 1 | JOINT MOTEUR-POMPE SIMEL                                     |
| 28     | 229703 | 1 | GARNITURE BRIDE BRULEUR                                      |
| 36     | 291002 | 1 | VENTILATEUR (VECO) D133x45 RD TRANCHÉ D12.7                  |

**BURNER LIGHT-OIL.1****MOD.: G 1S-LX TC  
1Nac230V-50Hz**

| POS    | COD    | V | DESCRIPTION   |
|--------|--------|---|---|
| 1      | 011206 | 8 | COVER NEUTRAL GREY+F  |
| 1.1    | 011206 | 7 | COVER NEUTRAL GREY RAL 7016                                 |
| 2      | 013325 | 1 | BOILER FLANGE (E) H25                                       |
| 3      | 013335 | 1 | BURNER'S BODY   |
| 4      | 013338 | 2 | FRONT SHIELD L.   |
| 5      | 013551 | 1 | COLLAR  |
| 10     | 040239 | 1 | IGNITION CABLE CARBON Sez. 1-D5 D4-D4                       |
| 11     | 052614 | 1 | GR.PIPELINE DELIVERY PUMP-NOZZLE-HOLDER                     |
| 12     | 053140 | 1 | GR.POMP (SUNTEC) 230V-50:60Hz                               |
| 12.5   | 258535 | 1 | POMP SUNTEC AL35A-9596-4P-0500 230V-50:60Hz                 |
| 12.5.1 | 111226 | 1 | COIL SUNTEC-3713798 230V-50:60Hz                            |
| 12.5.2 | 258583 | 1 | BODY SOLENOID VALVE POMP SUNTEC-991502_2 AT-AL              |
| 12.5.3 | 590000 | 1 | GASKET SHAFT POMP SUNTEC-991511 AN-AS-AL-AT                 |
| 13     | 053483 | 1 | GR.COVER ASPIRATION   |
| 14     | 054491 | 4 | BURNER'S ACCESSORIES FBR L=1250                             |
| 14.1   | 118445 | 1 | SOCKET WIELAND ST 18-7 (7 POLES.T)                          |
| 14.2   | 224500 | 1 | FILTER FAG 20151-PE 0.1-D3:8P                               |
| 14.6   | 278221 | 1 | PIPE FLEX L DN6-1250 FF 1:4P-3:8P                           |
| 15     | 055069 | 1 | BLAST TUBE GR.WELDED 1                                      |
| 16     | 055270 | 1 | COMBUSTION HEAD D64-D16.5 N°4T                              |
| 16.4   | 133253 | 1 | DOUBLE ELECTRODE  |
| 17     | 055494 | 1 | GR.NOZZLE-HOLDER  |
| 17.1   | 032599 | 1 | NOZZLE-HOLDER   |
| 17.2   | 055493 | 1 | TUBE WITH INDEX GR.WELDED                                   |
| 18     | 060397 | 1 | BURNER'S ELECTRICAL PANEL SIEMENS+TRE+P 1Nac230V-50:60Hz    |
| 18.3   | 111001 | 1 | BASE CONTROL BOX SIEMENS AGK11                              |
| 18.4   | 111002 | 1 | STILL-CABLE CONTROL BOX SIEMENS AGK66                       |
| 18.5   | 118416 | 4 | CABLE+CONNECTOR M-EVP L450                                  |
| 18.6   | 118444 | 3 | PLUG ELET.PLAST. EP-7 (7 POLES.T)                           |
| 18.7   | 119008 | 1 | CABLE+CONNECTOR M90-MT L370                                 |
| 18.8   | 139105 | 1 | PHOTORESISTANCE SIEMENS QRB1B BROWN L=500                   |
| 18.9   | 189005 | 1 | IGNITION TRANSFORMER DANFOSS EBI4 052F0031 230V-50:60Hz     |
| 18.10  | 189006 | 1 | CABLE+CONNECTOR M-TR-DANFOSS L300                           |
| 19     | 070061 | 1 | INSTRUCTIONS LIGHT OIL .1 IT FBR-                           |
| 20     | 076016 | 1 | DECLARATION OF CONFORMITY - IGEFD FBR-                      |
| 21     | 078239 | 1 | ELECTRICAL DIAGRAM BURNER                                   |
| 22     | 101566 | 1 | CONTROL BOX SIEMENS LMO14.111B2 230V-50:60Hz                |
| 22.1   | 077114 | 1 | CONTROL BOX INSTRUCTIONS SIEMENS-7130                       |
| 23     | 111013 | 1 | BASE FR SIEMENS QRB1  |
| 24     | 158752 | 1 | MOTOR SIMEL XD6-2005-32-F5-2P 100W 230V-50Hz-0.72A-4æF-CL.B |
| 24.1   | 118200 | 1 | CONDENSER SIMEL 4 µF-Vn450                                  |
| 27     | 229002 | 1 | JOINT MOTOR-POMP SIMEL                                      |
| 28     | 229703 | 1 | GASKET FLANGE BURNER  |
| 36     | 291002 | 1 | FAN (VECO) D133x45 RD HUB D12.7                             |

**BRUCIATORE GASOLIO.1****MOD.: G 1S-LX TC  
1Nac230V-50Hz**

| POS    | COD    | V | DESCRIZIONE  |
|--------|--------|---|--|
| 1      | 011206 | 8 | COFANO BRUCIATORE NEUTRO GRIGIO+FASCIA BLU                   |
| 1.1    | 011206 | 7 | COFANO BRUCIATORE NEUTRO GRIGIO RAL 7016                     |
| 2      | 013325 | 1 | FLANGIA ATTACCO CALDAIA (E) H25                              |
| 3      | 013335 | 1 | CHIOCCIOLA   |
| 4      | 013338 | 2 | FRONTALINO L.  |
| 5      | 013551 | 1 | COLLARE  |
| 10     | 040239 | 1 | CAVO A.T. CARBONIO Sez.1-D5 D4-D4                            |
| 11     | 052614 | 1 | Gr.TUBAZIONE MANDATA POMPA-PORTAUGELLO                       |
| 12     | 053140 | 1 | Gr.POMPA (SUNTEC) 230V-50:60Hz                               |
| 12.5   | 258535 | 1 | POMPA SUNTEC AL35A-9596-4P-0500 230V-50:60Hz                 |
| 12.5.1 | 111226 | 1 | BOBINA SUNTEC-3713798 230V-50:60Hz                           |
| 12.5.2 | 258583 | 1 | CORPO ELETTROVALVOLA POMPA SUNTEC-991502_2 AT-AL             |
| 12.5.3 | 590000 | 1 | GUARNIZIONE ALBERO POMPA SUNTEC-991511 AN-AS-AL-AT-D         |
| 13     | 053483 | 1 | Gr.COPERCHIO ASPIRAZIONE                                     |
| 14     | 054491 | 4 | CORREDO BRUCIATORE FBR L=1250                                |
| 14.1   | 118445 | 1 | SPINA WIELAND ST 18-7 (7 POLI.T)                             |
| 14.2   | 224500 | 1 | FILTRO FAG 20151-PE 0.1-D3:8P                                |
| 14.6   | 278221 | 1 | TUBO FLEX L DN6-1250 FF 1:4P-3:8P                            |
| 15     | 055069 | 1 | BOCCAGLIO Gr.Sald. 1 D90x60-15°-L139                         |
| 16     | 055270 | 1 | TESTA D64-D16.5 N°4T   |
| 16.4   | 133253 | 1 | ELETTRODO BIFILARE   |
| 17     | 055494 | 1 | Gr.PORTAUGELLO   |
| 17.1   | 032599 | 1 | PORTAUGELLO  |
| 17.2   | 055493 | 1 | TUBETTO CON INDICE Gr.Sald.                                  |
| 18     | 060397 | 1 | CABLAGGIO BRUCIATORE SIEMENS+TRE+P 1Nac230V-50:60Hz          |
| 18.3   | 111001 | 1 | BASE APP. SIEMENS AGK11                                      |
| 18.4   | 111002 | 1 | FERMACAVO APP.SIEMENS AGK66                                  |
| 18.5   | 118416 | 4 | CAVO+CONNETTORE M-EVP SUNTEC-ENC45 L450                      |
| 18.6   | 118444 | 3 | PRESA ELET.PLAST. EP-7 (7 POLI.T)                            |
| 18.7   | 119008 | 1 | CAVO+CONNETTORE M90-MT L370                                  |
| 18.8   | 139105 | 1 | FOTORESISTENZA SIEMENS QRB1B MARRONE L=500                   |
| 18.9   | 189005 | 1 | TRASFORMATORE DANFOSS EB14 052F0031-D4 230V-50:60Hz          |
| 18.10  | 189006 | 1 | CAVO+CONNETTORE M-TR-DANFOSS L320                            |
| 19     | 070061 | 1 | MANUALE ISTRUZIONI GASOLIO .1 IT FBR-                        |
| 20     | 076016 | 1 | DICH. DI CONFORMITA - IGEFD FBR-                             |
| 21     | 078239 | 1 | SC.ELET.BRUCIATORE .1 IGEF 1Nac230V-50Hz SL-                 |
| 22     | 101566 | 1 | APP. SIEMENS LMO14.111B2 230V-50:60Hz                        |
| 22.1   | 077114 | 1 | MANUALE ISTRUZIONI APP. - - SIEMENS-7130                     |
| 23     | 111013 | 1 | BASE FR SIEMENS QRB1   |
| 24     | 158752 | 1 | MOTORE SIMEL XD6-2005-32-F5-2P 100W 230V-50Hz-0.72A-4µF-CL.B |
| 24.1   | 118200 | 1 | CONDENSATORE SIMEL 4 uF-Vn450                                |
| 27     | 229002 | 1 | GIUNTO MOTORE-POMPA SIMEL                                    |
| 28     | 229703 | 1 | GUARNIZIONE FLANGIA BRUCIATORE                               |
| 36     | 291002 | 1 | VENTOLA (VECO) D133x45 RD MOZZO D12.7                        |



**HEIZOEL-BRENNER.1**

**MOD.: G 1S-LX TC  
1Nac230V-50Hz**

| POS    | COD    | V | BESCHREIBUNG  |
|--------|--------|---|---|
| 1      | 011206 | 8 | BRENNERHAUBE NEUTRAL GRAU                                   |
| 1.1    | 011206 | 7 | BRENNERHAUBE NEUTRAL GRAU RAL 7016                          |
| 2      | 013325 | 1 | KESSEL-BEFESTIGUNGSFLANSCH (E) H25                          |
| 3      | 013335 | 1 | GEBLAESEGEHAEUSE  |
| 4      | 013338 | 2 | FRONTABDECKUNG L.   |
| 5      | 013551 | 1 | FUEHRUNGSHUELSE   |
| 10     | 040239 | 1 | KABEL A.T. KARBONIUM DURCHM.1-D5 D4-D4                      |
| 11     | 052614 | 1 | Gr.VORLAUFLEITUNG PUMPE-DUESENHALTER                        |
| 12     | 053140 | 1 | Gr.PUMPE (SUNTEC) 230V-50:60Hz                              |
| 12.5   | 258535 | 1 | PUMPE SUNTEC AL35A-9596-4P-0500 230V-50:60Hz                |
| 12.5.1 | 111226 | 1 | MAGNETSPULE SUNTEC-3713798 230V-50:60Hz                     |
| 12.5.2 | 258583 | 1 | MAGNETVENTILKOERPER PUMPE SUNTEC-991502_2 AT-AL             |
| 12.5.3 | 590000 | 1 | DICHTUNG WELLE HILSPUMPE SUNTEC-991511 AN-AS-AL-AT-D        |
| 13     | 053483 | 1 | Gr.KAPPE ABSAUGUNG  |
| 14     | 054491 | 4 | BRENNERZUBEHOER FBR L=1250                                  |
| 14.1   | 118445 | 1 | STECKER WIELAND ST 18-7 (7 POLIG.T)                         |
| 14.2   | 224500 | 1 | FILTER FAG 20151-PE 0.1-D3:8P                               |
| 14.6   | 278221 | 1 | FLEXIBLES L DN6-1250 FF 1:4P-3:8P                           |
| 15     | 055069 | 1 | FLAMMROHR GESCHW.GR. 1                                      |
| 16     | 055270 | 1 | STAUISCHEIBE D64-D16.5 N°4T                                 |
| 16.4   | 133253 | 1 | DOPPELELEKTRODE   |
| 17     | 055494 | 1 | Gr.DUESENHALTER   |
| 17.1   | 032599 | 1 | DUESENHALTER  |
| 17.2   | 055493 | 1 | VERBINDUNGSROHR MIT STELLANZEIGE                            |
| 18     | 060397 | 1 | VERDRAHTUNG BRENNER SIEMENS+TRE+P 1Nac230V-50:60Hz          |
| 18.3   | 111001 | 1 | STECKSOCKEL FEUERUNGSAUTOMAT SIEMENS AGK11                  |
| 18.4   | 111002 | 1 | KABELHALTER FEUERUNGSAUTOMAT SIEMENS AGK66                  |
| 18.5   | 118416 | 4 | KABEL+STECKVERBINDUNG M-EVP SUNTEC-ENC45 L450               |
| 18.6   | 118444 | 3 | STECKDOSE ELET.PLAST. EP-7 (7 POLIG.T)                      |
| 18.7   | 119008 | 1 | KABEL+STECKVERBINDUNG M90-MT L370                           |
| 18.8   | 139105 | 1 | FOTOWIDERSTAND SIEMENS QRB1B L=500                          |
| 18.9   | 189005 | 1 | TRANSFORMATOR DANFOSS EBI4 052F0031 230V-50:60Hz            |
| 18.10  | 189006 | 1 | KABEL+STECKVERBINDUNG M-TR-DANFOSS L300                     |
| 19     | 070061 | 1 | BETRIEBSANLEITUNG HEIZOEL .1 IT FBR-                        |
| 20     | 076016 | 1 | KONFORMITAETS BESCHEINIGUNG - IGEFD FBR-                    |
| 21     | 078239 | 1 | ELEKTROSCHALTPLAN BRENNER                                   |
| 22     | 101566 | 1 | FEUERUNGSAUTOMAT SIEMENS LMO14.111B2 230V-50:60Hz           |
| 22.1   | 077114 | 1 | BETRIEBSANLEITUNG FEUERUNGSAUTOMAT SIEMENS-7130             |
| 23     | 111013 | 1 | STECKSOCKEL FR SIEMENS QRB1                                 |
| 24     | 158752 | 1 | MOTOR SIMEL XD6-2005-32-F5-2P 100W 230V-50Hz-0.72A-4uF-CL.B |
| 24.1   | 118200 | 1 | KONDENSATOR SIMEL 4 uF-Vn450                                |
| 27     | 229002 | 1 | VERBINDUNGSTUECK MOTOR-PUMPE SIMEL                          |
| 28     | 229703 | 1 | DICHTUNG BRENNERFLANSCH                                     |
| 36     | 291002 | 1 | VENTILATORRAD (VECO) D133x45 RD NABE D12.7                  |



## QUEMADOR GASOLEO.1

MOD.: G 1S-LX TC  
1Nac230V-50Hz

| POS    | COD    | V | DESCRIPCIÓN  |
|--------|--------|---|--|
| 1      | 011206 | 8 | CAPO NEUTRAL GRIS+F  |
| 1.1    | 011206 | 7 | CAPO NEUTRAL GRIS RAL 7016                                   |
| 2      | 013325 | 1 | BRIDA ATACO CALDERA (E) H25                                  |
| 3      | 013335 | 1 | CUERPO DEL QUEMADOR  |
| 4      | 013338 | 2 | FRONTAL L.   |
| 5      | 013551 | 1 | COLLAR   |
| 10     | 040239 | 1 | CABLE A.T. CARBONO Sec.1-D5 D4-D4                            |
| 11     | 052614 | 1 | GR.CANERIA MANDADA BOMBA-SOPORTE BOQUILLA                    |
| 12     | 053140 | 1 | GR.BOMBA (SUNTEC) 230V-50:60Hz                               |
| 12.5   | 258535 | 1 | BOMBA SUNTEC AL35A-9596-4P-0500 230V-50:60Hz                 |
| 12.5.1 | 111226 | 1 | BOBINA SUNTEC-3713798 230V-50:60Hz                           |
| 12.5.2 | 258583 | 1 | CUERPO ELECTROVALVULA BOMBA SUNTEC-991502_2 AT-AL            |
| 12.5.3 | 590000 | 1 | GUARNICION ARBORIZO BOMBA SUNTEC-991511 AN-AS-AL-AT-D        |
| 13     | 053483 | 1 | GR.TAPADERA ASPIRACION                                       |
| 14     | 054491 | 4 | EQUIPO QUEMADOR FBR L=1250                                   |
| 14.1   | 118445 | 1 | ESPINA WIELAND ST 18-7 (7 POLOS.T)                           |
| 14.2   | 224500 | 1 | FILTRO FAG 20151-PE 0.1-D3:8P                                |
| 14.6   | 278221 | 1 | TUBO FLEX L DN6-1250 FF 1:4P-3:8P                            |
| 15     | 055069 | 1 | CANON GR.SOLDADO 1   |
| 16     | 055270 | 1 | CABEZAL D64-D16.5 N°4T                                       |
| 16.4   | 133253 | 1 | ELECTRODO DOBLE HILERA                                       |
| 17     | 055494 | 1 | GR.SOPORTE BOQUILLA  |
| 17.1   | 032599 | 1 | SOPORTE BOQUILLA   |
| 17.2   | 055493 | 1 | TUBO CON ÍNDICE GR.SOLDADO                                   |
| 18     | 060397 | 1 | CABLEADO QUEMADOR SIEMENS+TRE+P 1Nac230V-50:60Hz             |
| 18.3   | 111001 | 1 | BASE CAJA DE CONTROL SIEMENS AGK11                           |
| 18.4   | 111002 | 1 | FIRMECABLE CAJA DE CONTROL SIEMENS AGK66                     |
| 18.5   | 118416 | 4 | CABLE+CONECTOR M-EVP L450                                    |
| 18.6   | 118444 | 3 | TOMADA ELET.PLAST. EP-7 (7 POLOS.T)                          |
| 18.7   | 119008 | 1 | CABLE+CONECTOR M90-MT L370                                   |
| 18.8   | 139105 | 1 | FOTORESISTENCIA SIEMENS QRB1B MARRON L=500                   |
| 18.9   | 189005 | 1 | TRANSFORMADOR DANFOSS EBI4 052F0031 230V-50:60Hz             |
| 18.10  | 189006 | 1 | CABLE+CONECTOR M-TR-DANFOSS L300                             |
| 19     | 070061 | 1 | MANUAL DE INSTRUCCIONES GASOLEO .1 IT FBR-                   |
| 20     | 076016 | 1 | DECLARACION DE CONFORMIDAD - IGEFD FBR-                      |
| 21     | 078239 | 1 | ESQUEMA ELECTRICO QUEMADOR                                   |
| 22     | 101566 | 1 | CAJA DE CONTROL SIEMENS LMO14.111B2 230V-50:60Hz             |
| 22.1   | 077114 | 1 | MANUAL DE INSTRUCCIONES CAJA DE CONTROL SIEMENS-7130         |
| 23     | 111013 | 1 | BASE FR SIEMENS QRB1   |
| 24     | 158752 | 1 | MOTOR SIMEL XD6-2005-32-F5-2P 100W 230V-50Hz-0.725A-4æF-CL.B |
| 24.1   | 118200 | 1 | CONDENSADOR SIMEL 4 uF-Vn450                                 |
| 27     | 229002 | 1 | LLEGA MOTOR-BOMBA SIMEL                                      |
| 28     | 229703 | 1 | GUARNICION BRIDA QUEMADOR                                    |
| 36     | 291002 | 1 | VENTILADOR (VECO) D133x45 RD MOCHO D12.7                     |