

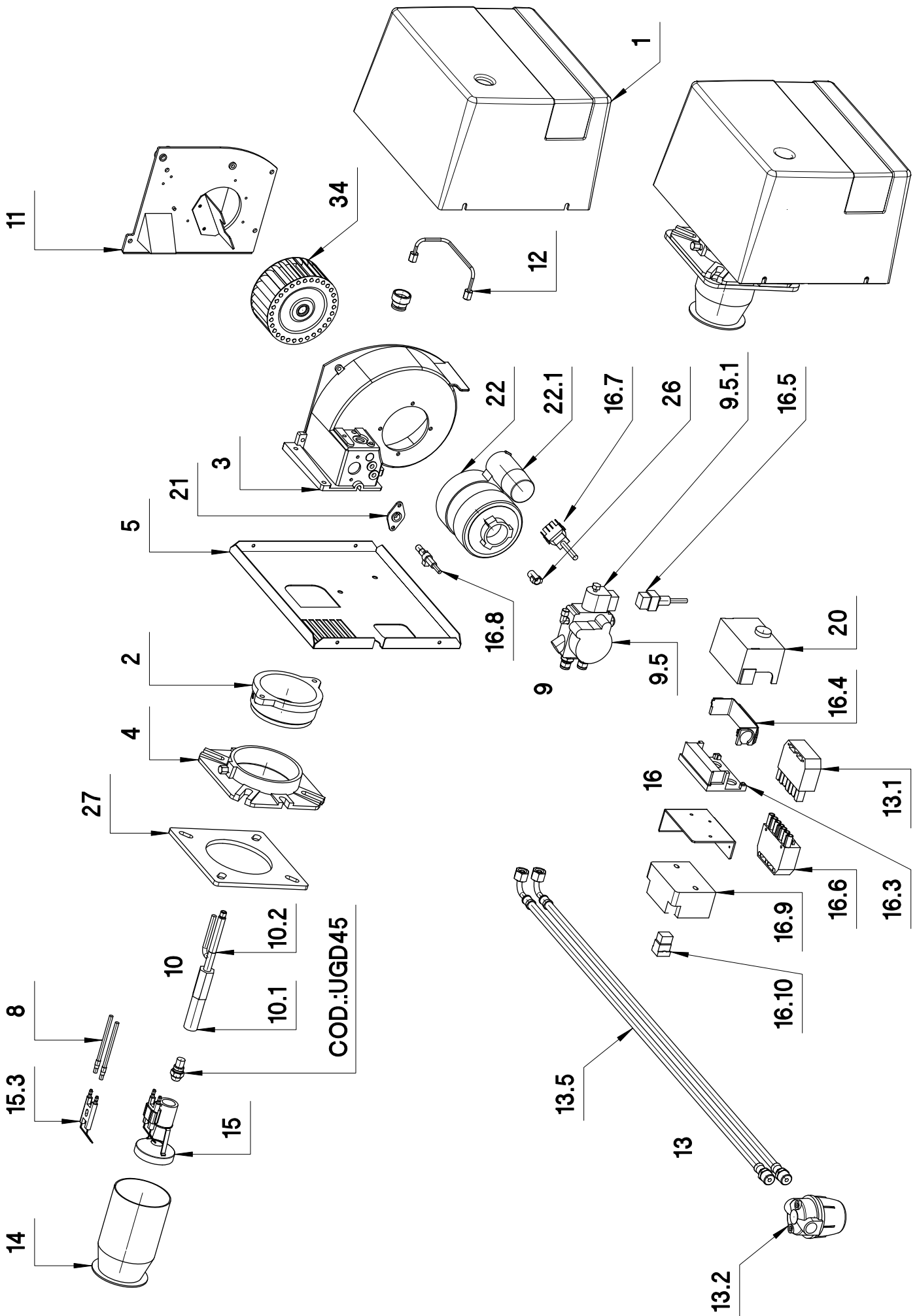


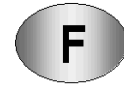
**TAVOLA RICAMBI  
SPARE TABLE  
MESA DE REPUESTOS  
TABLE DE RECHANGE**

MOD.:  
G 0S-LX TXC

005349\_1D

3R





**BRULEUR FIOUL.1**

**MOD.: G 0S-LX TXC  
1Nac230V-50Hz**

POS	COD	V	DESCRIPTION
1	011203	1	COFFRE FBR ROUGE
2	013280	1	COLLIER
3	013308	1	CORPS DU BRULEUR
4	013325	1	BRIDE ATTACHE CHAUDIERE (E) H25
5	021086	1	CARTER
8	040239	1	CABLE A.T. CARBONE Sec.1-D5 D4-D4
9	053399	1	GR.POMPE 230V-50:60Hz
9.5	258535	1	POMPE SUNTEC AL35A-9596-4P-0500 230V-50:60Hz
9.5.1	111226	1	BOBINE SUNTEC 37.13.798 230V-50:60Hz
9.5.2	258583	1	CORPS ELECTROVANNE POMPE SUNTEC AT-AL-991502_2
9.5.3	590000	1	GARNITURE ARBRE POMPE SUNTEC AN-AS-AL-AT-D :991511
10	053459	1	GR.SOUTIENS GICLEUR
10.1	032599	1	SOUTIENS GICLEUR
10.2	052496	1	TUBE AVEC INDEX GR.SOUDÉ
11	053844	1	GR.COUCVERCLE ASPIRATION
12	053994	1	GR.CANALISATION ENVOYEE POMPE-SOUTIENS GICLEUR (SUNTEC)
13	054491	1	EQUIPE BRULEUR FBR
13.1	118445	1	FICHE WIELAND ST 18-7 (7 POLES.T)
13.2	224500	1	FILTRE FAG 20151-PE 0.1-D3:8P
13.5	278016	1	TUBE FLEX L DN6-800 MF 3:8P-1:4P
14	055020	1	BUSE GR.SOUDE 1
15	055022	1	TETE D55-D17 N°4T
15.3	133253	1	ELECTRODE DOUBLE FILER
16	060165	4	CÂBLAGE BRÛLEUR SIEMENS+TRE+P 1Nac230V-50:60Hz
16.3	111001	1	BASE COFFRET DE SECURITE SIEMENS AGK11
16.4	111002	1	PRESSE-CABLE COFFRET DE SECURITE SIEMENS AGK66
16.5	118416	2	CABLE+CONNECTEUR M-EVP L350
16.6	118444	3	PRISE ELET.PLAST. EP-7 (7 POLES.T)
16.7	119001	1	CABLE+CONNECTEUR M-MT L370
16.8	139105	1	PHOTORESISTANCE SIEMENS QRB1B MARRON L=500
16.9	189005	1	TRANSFORMATEUR DANFOSS EBI 052F0036-D4 230V-50:60Hz
16.10	189006	1	CABLE+CONNECTEUR M-TR-DANFOSS L330
17	070061	1	MANUEL INSTRUCTIONS FIOUL .1 IT FBR-
18	076016	1	DECLARATION DE CONFORMITE - IGEFD FBR-
19	078238	1	SCHEMA ELECTRIQUE BRULEUR
20	101566	1	COFFRET DE SECURITE SIEMENS LMO14.111B2 230V-50:60Hz
20.1	077114	1	MANUEL INSTRUCTIONS COFFRET DE SECURITE SIEMENS-7130
21	111013	1	BASE FR SIEMENS QRB1
22	158701	1	MOTEUR SIMEL ZD42-2070-32-2P 90W 230V-50Hz-0.7A-4uF-CL.B
22.1	118200	1	CONDENSATEUR SIMEL 4 uF-Vn450
26	229002	1	JOINT MOTEUR-POMPE SIMEL
27	229703	1	GARNITURE BRIDE BRULEUR
34	291081	1	VENTILATEUR D108x52 RD TRANCHE D12.7



## BURNER LIGHT-OIL.1

**MOD.: G 0S-LX TXC**  
**1Nac230V-50Hz**

POS	COD	V	DESCRIPTION
1	011203	1	COVER FBR RED
2	013280	1	COLLAR
3	013308	1	BURNER'S BODY
4	013325	1	BOILER FLANGE (E) H25
5	021086	1	FRONT SHIELD
8	040239	1	IGNITION CABLE CARBON Sez.1-D5 D4-D4
9	053399	1	GR.POMP 230V-50:60Hz
9.5	258535	1	POMP SUNTEC AL35A-9596-4P-0500 230V-50:60Hz
9.5.1	111226	1	COIL SUNTEC 37.13.798 230V-50:60Hz
9.5.2	258583	1	BODY SOLENOID VALVE POMP SUNTEC AT-AL-991502_2
9.5.3	590000	1	GASKET SHAFT POMP SUNTEC AN-AS-AL-AT :991511
10	053459	1	GR.NOZZLE-HOLDER
10.1	032599	1	NOZZLE-HOLDER
10.2	052496	1	TUBE WITH INDEX GR.WELDED
11	053844	1	GR.COVER ASPIRATION
12	053994	1	GR.PIPELINE DELIVERY POMP-NOZZLE-HOLDER (SUNTEC)
13	054491	1	BURNER'S ACCESSORIES FBR
13.1	118445	1	SOCKET WIELAND ST 18-7 (7 POLES.T)
13.2	224500	1	FILTER FAG 20151-PE 0.1-D3:8P
13.5	278016	1	PIPE FLEX L DN6-800 MF 3:8P-1:4P
14	055020	1	BLAST TUBE GR.WELDED 1
15	055022	1	COMBUSTION HEAD D55-D17 N°4T
15.3	133253	1	DOUBLE ELECTRODE
16	060165	4	BURNER'S ELECTRICAL PANEL SIEMENS+TRE+P 1Nac230V-50:60Hz
16.3	111001	1	BASE CONTROL BOX SIEMENS AGK11
16.4	111002	1	STILL-CABLE CONTROL BOX SIEMENS AGK66
16.5	118416	2	CABLE+CONNECTOR M-EVP L350
16.6	118444	3	PLUG ELET.PLAST. EP-7 (7 POLES.T)
16.7	119001	1	CABLE+CONNECTOR M-MT L370
16.8	139105	1	PHOTORESISTANCE SIEMENS QRB1B BROWN L=500
16.9	189005	1	IGNITION TRANSFORMER DANFOSS EBI 052F0036-D4 230V-50:60Hz
16.10	189006	1	CABLE+CONNECTOR M-TR-DANFOSS L330
17	070061	1	INSTRUCTIONS LIGHT OIL .1 IT FBR-
18	076016	1	DECLARATION OF CONFORMITY - IGEFD FBR-
19	078238	1	ELECTRICAL DIAGRAM BURNER
20	101566	1	CONTROL BOX SIEMENS LMO14.111B2 230V-50:60Hz
20.1	077114	1	CONTROL BOX INSTRUCTIONS SIEMENS-7130
21	111013	1	BASE FR SIEMENS QRB1
22	158701	1	MOTOR SIMEL ZD42-2070-32-2P 90W 230V-50Hz-0.7A-4uF-CL.B
22.1	118200	1	CONDENSER SIMEL 4 uF-Vn450
26	229002	1	JOINT MOTOR-POMP SIMEL
27	229703	1	GASKET FLANGE BURNER
34	291081	1	FAN D108x52 RD HUB D12.7

**BRUCIATORE GASOLIO.1****MOD.: G 0S-LX TXC  
1Nac230V-50Hz**

POS	COD	V	DESCRIZIONE
1	011203	1	COFANO BRUCIATORE FBR ROSSO
2	013280	1	COLLARE
3	013308	1	CHIOCCIOLA
4	013325	1	FLANGIA ATTACCO CALDAIA (E) H25
5	021086	1	FRONTALINO
8	040239	1	CAVO A.T. CARBONIO Sez.1-D5 D4-D4
9	053399	1	Gr.POMPA 230V-50:60Hz
9.5	258535	1	POMPA SUNTEC AL35A-9596-4P-0500 230V-50:60Hz
9.5.1	111226	1	BOBINA SUNTEC 37.13.798 230V-50:60Hz
9.5.2	258583	1	CORPO ELETTROVALVOLA POMPA SUNTEC AT-AL-991502_2
9.5.3	590000	1	GUARNIZIONE ALBERO POMPA SUNTEC AN-AS-AL-AT-D :991511
10	053459	1	Gr.PORTAUGELLO
10.1	032599	1	PORTAUGELLO
10.2	052496	1	TUBETTO CON INDICE Gr.Sald.
11	053844	1	Gr.COPERCHIO ASPIRAZIONE
12	053994	1	Gr.TUBAZIONE MANDATA POMPA-PORTAUGELLO (SUNTEC)
13	054491	1	CORREDO BRUCIATORE FBR
13.1	118445	1	SPINA WIELAND ST 18-7 (7 POLI.T)
13.2	224500	1	FILTRO FAG 20151-PE 0.1-D3:8P
13.5	278016	1	TUBO FLEX L DN6-800 MF 3:8P-1:4P
14	055020	1	BOCCAGLIO Gr.Sald. 1 D80x54-15°-L127
15	055022	1	TESTINA D55-D17 N°4T
15.3	133253	1	ELETTRODO BIFILARE
16	060165	4	CABLAGGIO BRUCIATORE SIEMENS+TRE+P 1Nac230V-50:60Hz
16.3	111001	1	BASE APP. SIEMENS AGK11
16.4	111002	1	FERMACAVO APP.SIEMENS AGK66
16.5	118416	2	CAVO+CONNETTORE M-EVP SUNTEC-ENC35 L350
16.6	118444	3	PRESA ELET.PLAST. EP-7 (7 POLI.T)
16.7	119001	1	CAVO+CONNETTORE M-MT L370
16.8	139105	1	FOTORESISTENZA SIEMENS QRB1B MARRONE L=500
16.9	189005	1	TRASFORMATORE DANFOSS EBI 052F0036-D4 230V-50:60Hz
16.10	189006	1	CAVO+CONNETTORE M-TR-DANFOSS L330
17	070061	1	MANUALE ISTRUZIONI GASOLIO .1 IT FBR-
18	076016	1	DICH. DI CONFORMITA - IGEFD FBR-
19	078238	1	SC.ELET.BRUCIATORE .1 IGEF 1Nac230V-50Hz SL-
20	101566	1	APP. SIEMENS LMO14.111B2 230V-50:60Hz
20.1	077114	1	MANUALE ISTRUZIONI APP. - - SIEMENS-7130
21	111013	1	BASE FR SIEMENS QRB1
22	158701	1	MOTORE SIMEL ZD42-2070-32-2P 90W 230V-50Hz-0.7A-4uF-CL.B
22.1	118200	1	CONDENSATORE SIMEL 4 uF-Vn450
26	229002	1	GIUNTO MOTORE-POMPA SIMEL
27	229703	1	GUARNIZIONE FLANGIA BRUCIATORE
34	291081	1	VENTOLA (VECO) D108x52 RD MOZZO D12.7x22x19

**HEIZOEL-BRENNER.1****MOD.: G 0S-LX TXC  
1Nac230V-50Hz**

POS	COD	V	BESCHREIBUNG
1	011203	1	BRENNERHAUBE FBR ROT
2	013280	1	FUEHRUNGSHUELSE
3	013308	1	GEBLAESEGEHAEUSE
4	013325	1	KESSEL-BEFESTIGUNGSFLANSCH (E) H25
5	021086	1	FRONTABDECKUNG
8	040239	1	KABEL A.T. KARBONIUM DURCHM.1-D5 D4-D4
9	053399	1	Gr.PUMPE 230V-50:60Hz
9.5	258535	1	PUMPE SUNTEC AL35A-9596-4P-0500 230V-50:60Hz
9.5.1	111226	1	MAGNETSPULE SUNTEC 37.13.798 230V-50:60Hz
9.5.2	258583	1	MAGNETVENTILKOERPER PUMPE SUNTEC AT-AL-991502_2
9.5.3	590000	1	DICHTUNG WELLE HILSPUMPE SUNTEC AN-AS-AL-AT-D
10	053459	1	Gr.DUESENHALTER
10.1	032599	1	DUESENHALTER
10.2	052496	1	VERBINDUNGSROHR MIT STELLANZEIGE
11	053844	1	Gr.KAPPE ABSAUGUNG
12	053994	1	Gr.VORLAUFLEITUNG PUMPE-DUESENHALTER (SUNTEC)
13	054491	1	BRENNERZUBEHOER FBR
13.1	118445	1	STECKER WIELAND ST 18-7 (7 POLIG.T)
13.2	224500	1	FILTER FAG 20151-PE 0.1-D3:8P
13.5	278016	1	FLEXIBLES L DN6-800 MF 3:8P-1:4P
14	055020	1	FLAMMROHR GESCHW.GR. 1 D80x54-15>-L127
15	055022	1	STAUISCHEIBE D55-D17 N°4T
15.3	133253	1	DOPPELELEKTRODE
16	060165	4	VERDRAHTUNG BRENNER SIEMENS+TRE+P 1Nac230V-50:60Hz
16.3	111001	1	STECKSOCKEL FEUERUNGSAUTOMAT SIEMENS AGK11
16.4	111002	1	KABELHALTER FEUERUNGSAUTOMAT SIEMENS AGK66
16.5	118416	2	KABEL+STECKVERBINDUNG M-EVP SUNTEC-ENC35 L350
16.6	118444	3	STECKDOSE ELET.PLAST. EP-7 (7 POLIG.T)
16.7	119001	1	KABEL+STECKVERBINDUNG M-MT L370
16.8	139105	1	FOTOWIDERSTAND SIEMENS QRB1B L=500
16.9	189005	1	TRANSFORMATOR DANFOSS EBI 052F0036-D4 230V-50:60Hz
16.10	189006	1	KABEL+STECKVERBINDUNG M-TR-DANFOSS L330
17	070061	1	BETRIEBSANLEITUNG HEIZOEL .1 IT FBR-
18	076016	1	KONFORMITAETS BESCHEINIGUNG - IGEFD FBR-
19	078238	1	ELEKTROSCHALTPLAN BRENNER
20	101566	1	FEUERUNGSAUTOMAT SIEMENS LMO14.111B2 230V-50:60Hz
20.1	077114	1	BETRIEBSANLEITUNG FEUERUNGSAUTOMAT SIEMENS-7130
21	111013	1	STECKSOCKEL FR SIEMENS QRB1
22	158701	1	MOTOR SIMEL ZD42-2070-32-2P 90W 230V-50Hz-0.7A-4uF-CL.B
22.1	118200	1	KONDENSATOR SIMEL 4 uF-Vn450
26	229002	1	VERBINDUNGSTUECK MOTOR-PUMPE SIMEL
27	229703	1	DICHTUNG BRENNERFLANSCH
34	291081	1	VENTILATORRAD D108x52 RD NABE D12.7



## QUEMADOR GASOLEO.1

MOD.: G 0S-LX TXC  
1Nac230V-50Hz

POS	COD	V	DESCRIPCIÓN
1	011203	1	CAPO FBR ROJO
2	013280	1	COLLAR
3	013308	1	CUERPO DEL QUEMADOR
4	013325	1	BRIDA ATACO CALDERA (E) H25
5	021086	1	FRONTAL
8	040239	1	CABLE A.T. CARBONO Sec.1-D5 D4-D4
9	053399	1	GR.BOMBA 230V-50:60Hz
9.5	258535	1	BOMBA SUNTEC AL35A-9596-4P-0500 230V-50:60Hz
9.5.1	111226	1	BOBINA SUNTEC 37.13.798 230V-50:60Hz
9.5.2	258583	1	CUERPO ELECTROVALVULA BOMBA SUNTEC AT-AL-991502_2
9.5.3	590000	1	GUARNICION ARBORIZO BOMBA SUNTEC AN-AS-AL-AT-D :991511
10	053459	1	GR.SOPORTE BOQUILLA
10.1	032599	1	SOPORTE BOQUILLA
10.2	052496	1	TUBO CON ÍNDICE GR.SOLDADO
11	053844	1	GR.TAPADERA ASPIRACION
12	053994	1	GR.CANERIA MANDADA BOMBA-SOPORTE BOQUILLA (SUNTEC)
13	054491	1	EQUIPO QUEMADOR FBR
13.1	118445	1	ESPINA WIELAND ST 18-7 (7 POLOS.T)
13.2	224500	1	FILTRO FAG 20151-PE 0.1-D3:8P
13.5	278016	1	TUBO FLEX L DN6-800 MF 3:8P-1:4P
14	055020	1	CANON GR.SOLDADO 1
15	055022	1	CABEZAL D55-D17 N°4T
15.3	133253	1	ELECTRODO DOBLE HILERA
16	060165	4	CABLEADO QUEMADOR SIEMENS+TRE+P 1Nac230V-50:60Hz
16.3	111001	1	BASE CAJA DE CONTROL SIEMENS AGK11
16.4	111002	1	FIRMECABLE CAJA DE CONTROL SIEMENS AGK66
16.5	118416	2	CABLE+CONECTOR M-EVP L350
16.6	118444	3	TOMADA ELET.PLAST. EP-7 (7 POLOS.T)
16.7	119001	1	CABLE+CONECTOR M-MT L370
16.8	139105	1	FOTORESISTENCIA SIEMENS QRB1B MARRON L=500
16.9	189005	1	TRANSFORMADOR DANFOSS EBI 052F0036-D4 230V-50:60Hz
16.10	189006	1	CABLE+CONECTOR M-TR-DANFOSS L330
17	070061	1	MANUAL DE INSTRUCCIONES GASOLEO .1 IT FBR-
18	076016	1	DECLARACION DE CONFORMIDAD - IGEFD FBR-
19	078238	1	ESQUEMA ELECTRICO QUEMADOR
20	101566	1	CAJA DE CONTROL SIEMENS LMO14.111B2 230V-50:60Hz
20.1	077114	1	MANUAL DE INSTRUCCIONES CAJA DE CONTROL SIEMENS-7130
21	111013	1	BASE FR SIEMENS QRB1
22	158701	1	MOTOR SIMEL ZD42-2070-32-2P 90W 230V-50Hz-0.7A-4uF-CL.B
22.1	118200	1	CONDENSADOR SIMEL 4 uF-Vn450
26	229002	1	LLEGA MOTOR-BOMBA SIMEL
27	229703	1	GUARNICION BRIDA QUEMADOR
34	291081	1	VENTILADOR D108x52 RD MOCHO D12.7